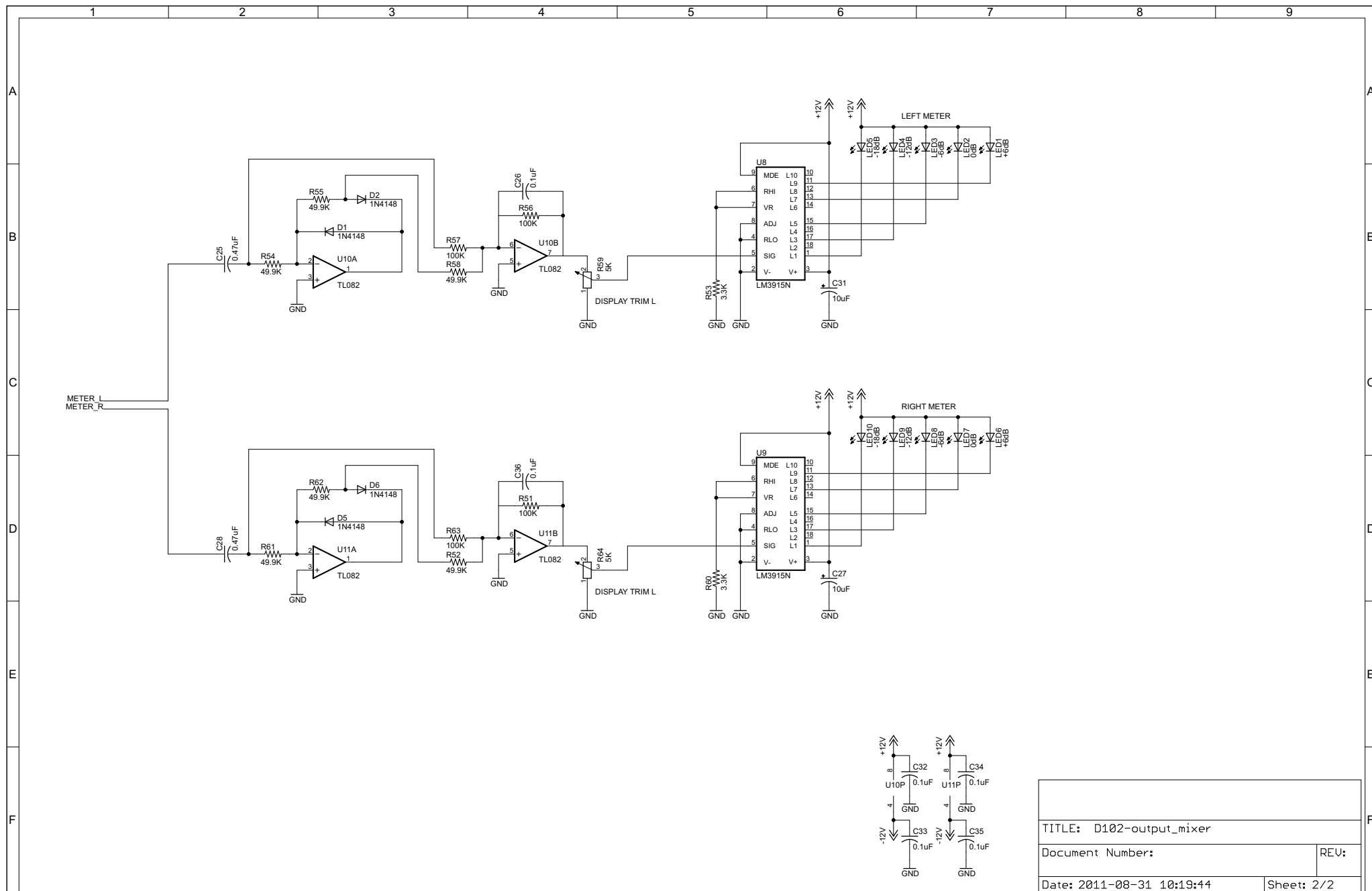


TITLE: D102-output_mixer	
Document Number:	REV:
Date: 2011-08-31 10:19:44	Sheet: 1/2



TITLE: D102-output_mixer	
Document Number:	REV:
Date: 2011-08-31 10:19:44	Sheet: 2/2